

1	2	3	4
RevNo	Revision note	Date	Signature
			Checked

A

A

B

B

C

C

D

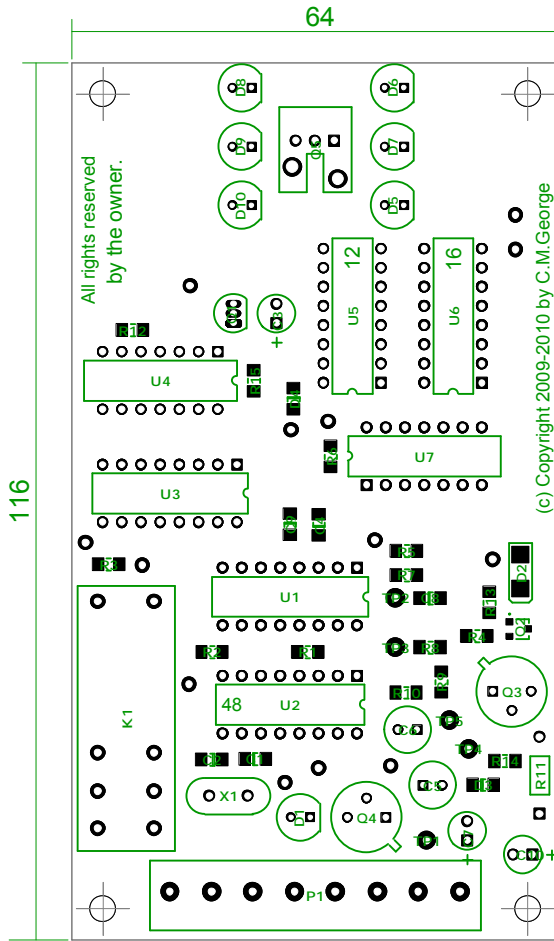
D

E

E

F

F



Itemref	Quantity	Title/Name, designation, material, dimension etc		Article No./Reference	
Designed by C.M. George	Checked by C.M. George	Approved by - date - 18/04/2009	File name	Date 18/04/2009	Scale 1:1
electronica-project.net					
					Edition 0

1

2

3

4